



The high-tech folding bikes

eXXite

by FAYVOLT



The XS

The first Rayvolt and eXXite commercial **foldable bike.**

Oriented for the best performance, with its compact shape, 20" wheels, and all the eXXite technology, makes it the perfect bike for the urban daily commuter.

The removable seatpost battery gives the user more security in the city, allowing them to take it safely anywhere.





Original **Copper**



Shadow **Black**



British **Green**





The XXS

The smaller bike of the brand, and the **more compact** version of the XS.

With all the eXXite features in a 16" wheels shape, this bike becomes the perfect fit for the versatile commuter in the city.

The removable seatpost battery gives the user more security in the city, allowing them to take it safely anywhere.





Original **Copper**



Shadow **Black**



British **Green**





With all the premium details that makes an eXXite bike



The new microEIVA color display with full App compatibility

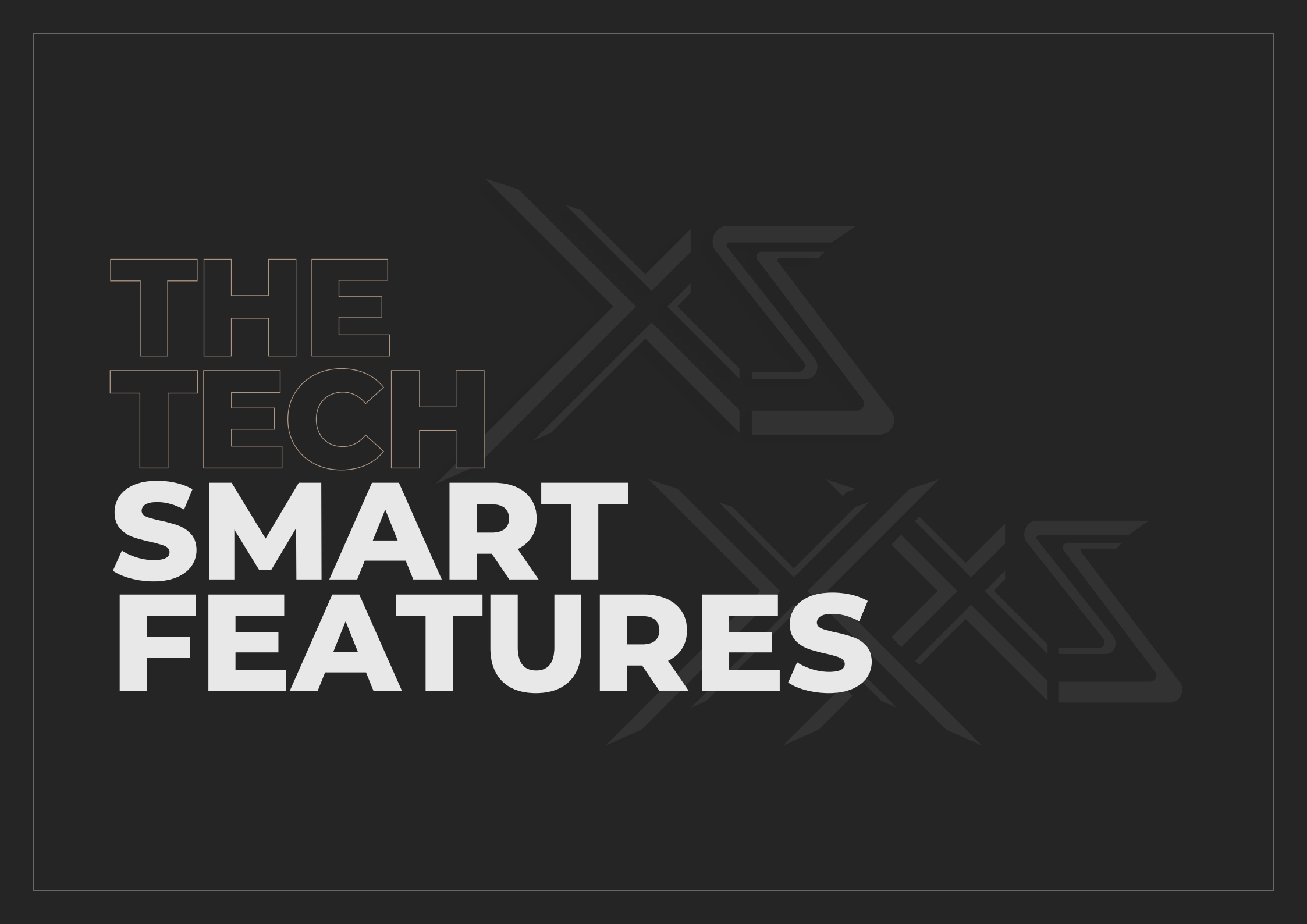


Ultra light and ergonomical saddle



Integrated front and rear light made for the city





THE
TECH
**SMART
FEATURES**

The Seatpost Battery

The removable seatpost battery, one of the key features for the eXXite urban models, XS and XXS.

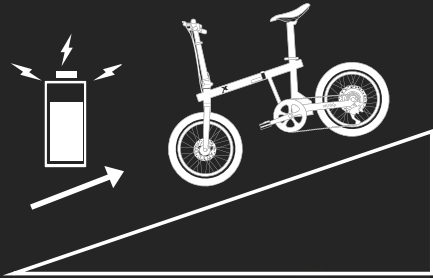
Made for the city, this new technology is the perfect match for the daily commuter. It allows the user to take the battery and saddle with them, reducing the risks of the city while parked on the street.

With its 36 Volts of power, this innovative system allows a more integrated look and a more lightweight solution.

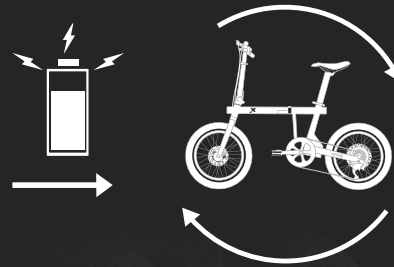


Smart Features

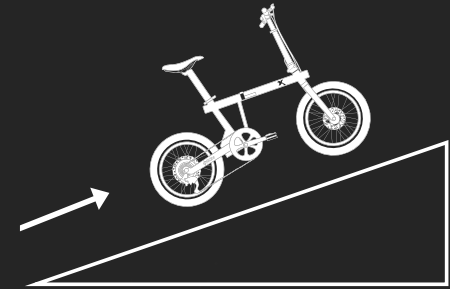
Lever Regenerative Brake
with a proportional charge



Regenerative Back Pedaling
for proportional braking



Torque Sensor for a
smart acceleration





The EIVA™

The EIVA is Rayvolt's custom designed software which is used to control, customize, and monitor your bike*.

The EIVA computer can be mounted to the handlebars and is ready to go when you are. The app can be downloaded for use on an existing smartphone.

1. 360 Display

Monitor speed, battery state, MPH/ KM Run, bike status and adjust pedal assistance.

2. Bluetooth

Monitor the connection between the bike and EIVA®.

3. Driving modes

Select a predesign configuration.

4. Advanced Settings

Customize all the parameters of your bike.

5. Support

Direct contact our Support Team.

6. Music

Play your music, your way.

7. Maps

GPS access.

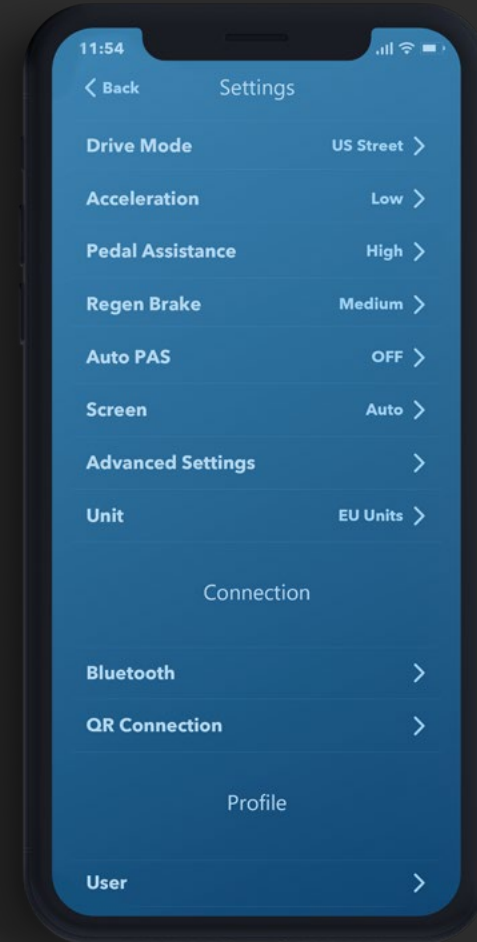
8. RegenFit

Recharge your batteries and train indoor.

360 Display



Settings



All about your e-bike

MicroEIVA™ The MicroEIVA™

The micro EIVA display allows the user to use the key features of the App directly on the bike.

360 Display



Information



Menu



Brightness
Brightness of the display



System
Change the configuration



Auto off
Set the auto shutdown time



Wheel size
Match it with your model



Advanced
Advanced settings



Reset
Restore factory configuration



Password
Configure your password



Exit
Go back to the Home Screen

⚡REGENFIT The RegenFit™

RegenFit™ is a **smart feature and App** that allows the user to convert the pedal assisted bike into an indoor smart trainer.

By using the electromagnetic field of the motor, its hall sensors, plus the cadence and torque sensors, we can also recharge the battery.

Through the sensors, you can monitorize your training on the RegenFit mode available inside the EIVA App.



REGENFIT

The App

With the RegenFit™ mode inside the EIVA App 2.0, compatible with all eXXite e-bikes, the user can monitor their trainings and customize their exercises routines while charging the battery.

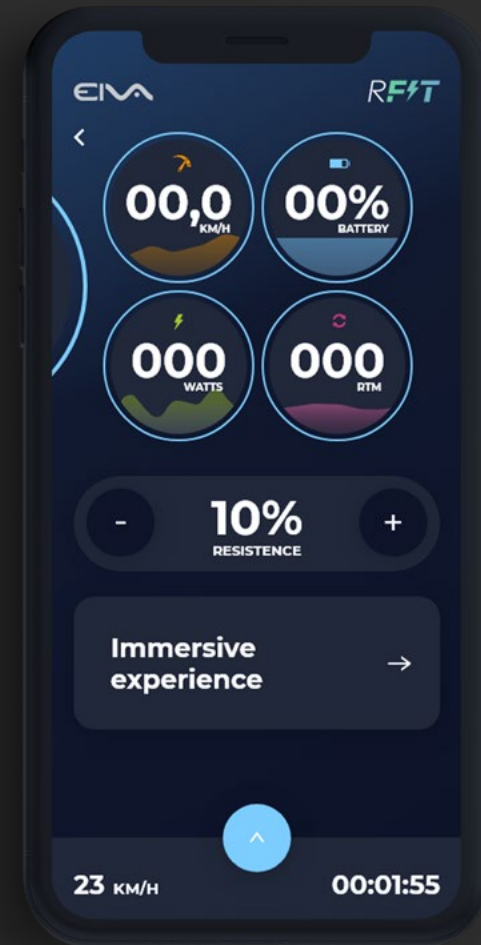
The App features a custom training mode, where the user can modify the resistance applied to the motor to increase the difficulty and the charging speed of the battery. In the future, it will include different pre-defined workout routines and immersive experiences.

Keep the track of your trainings, see your advances and save energy by **charging the bike with your own power.**

Custom mode



Custom mode details



Recharge your batteries and train indoor



**TECH
SPECS**



How to fold

1.



2.



3.



4.





Specifications

Weight:

19 kg

Max load weight:

100kg

Frame:

Rayvolt Aluminum 6061

Grips:

Rayvolt Custom Leather Grips

Saddle:

Ergonomic eXXite vegan leather

Brakes:

Rayvolt Mechanical Brakes with E-Regenerative 10A-50A

Pedals:

Folding Pedals

Rims:

Double wall 20" x 2.125

Tires:

20" x 2.125

Speed Control:

- PAS (Pedal Assist System)
- Gear 7-speed (optional)
- Torque Sensor (optional)
- Thumb Throttle*

E-Drive System:

Rayvolt EIVA® Drive 2.0

Display:

Micro EIVA

Motor

Micro Hub - 250W 35 Nm

Battery

Life of 1000 cycles

Smart Seatpost Removable

- 36 V - **8 Ah**

Range of 40km

- 36 V - **10,5 Ah**

Range of 60km

- 36 V - **14 Ah**

Range of 100km

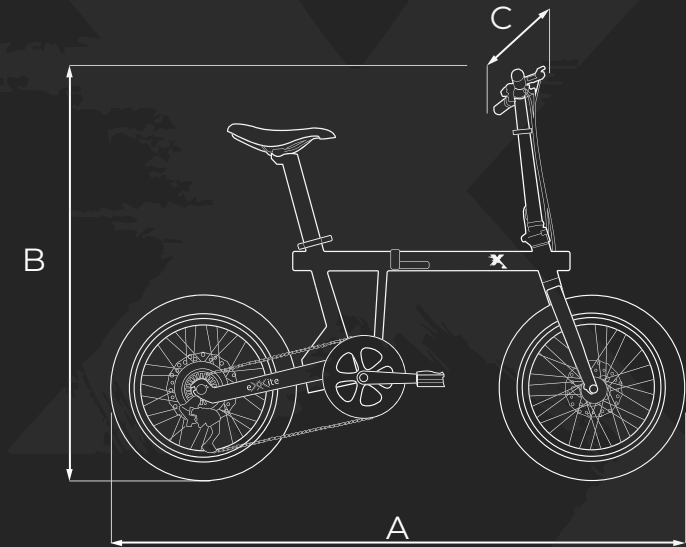
*Depending on your country legislation

Dimensions:

1470 x 1180 x 590 mm

Folded dimensions:

820 x 680 x 370 mm



A	1470 mm
B	1180 mm
C	590 mm



Specifications

Weight:

15 kg

Max load weight:

100kg

Frame:

Rayvolt Aluminum 6061

Grips:

Rayvolt Custom Leather Grips

Saddle:

Ergonomic eXXite vegan leather

Brakes:

Rayvolt Mechanical Brakes with E-Regenerative 10A-50A

Pedals:

Folding Pedals

Rims:

Double wall 16" x 1.95

Tires:

16" x 1.95

Speed Control:

- PAS (Pedal Assist System)
- Torque Sensor (optional)
- Thumb Throttle*

E-Drive System:

Rayvolt EIVA® Drive 2.0

Display:

Micro EIVA

Motor

Micro Hub - 250W 35 Nm

Battery

Life of 1000 cycles

Smart Seatpost Removable

- 36 V - **8 Ah**

Range of 40km

- 36 V - **10,5 Ah**

Range of 60km

- 36 V - **14 Ah**

Range of 100km

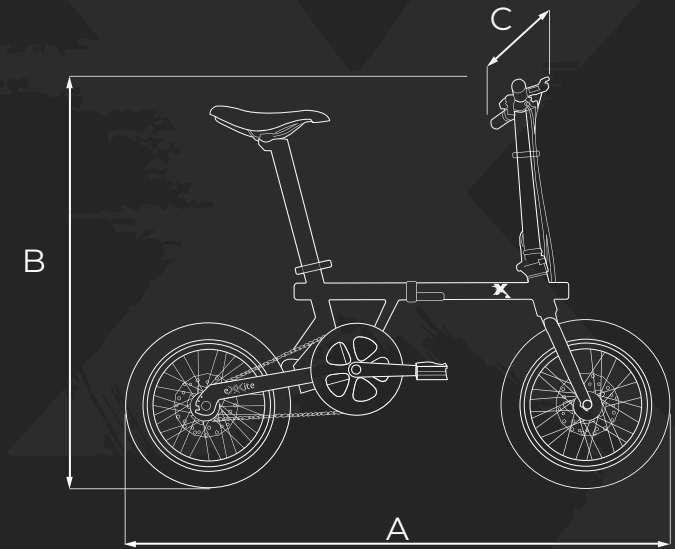
*Depending on your country legislation

Dimensions:

1300 x 970 x 580 mm

Folded dimensions:

780 x 580 x 420 mm



A	1300 mm
B	970 mm
C	580 mm



RAYVOLT

eXXite